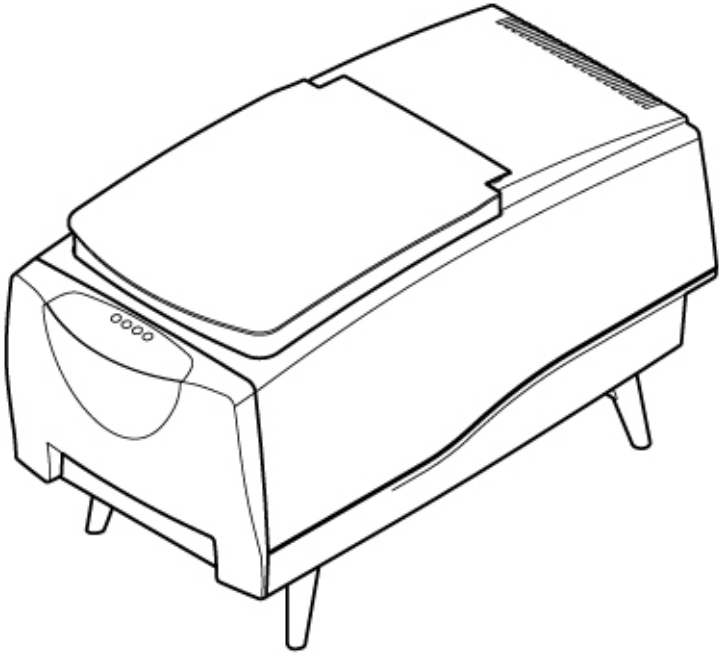


Operation Manual



Operation Manual

Nimbie USB Plus Disc Autoloader

Model #: NB21 Series (PC-Connected)

Serial Number: _____

(The serial number is labeled on the bottom of the device.)

PREFACE

Important Safety Instructions

For your safety, basic precautions should always be followed to reduce risk of damage, electric shock, fire, and personal injury. This includes the following:

- Read this manual carefully and follow all warnings and instructions.
- Operate the unit with only the proper electrical specifications as labeled on the device. Use only 3-wire extension cords that have 3-prong grounding plugs and 3-pole grounding receptacles that accept your device's plug. Make sure the device is connected to a known ground.
- Do not expose this unit to direct sunlight, rain, moisture, water, flammable material, gas, dust, dirt, smoke, pollution or abrupt humidity changes.
- Place this device on a steady level surface in an air-conditioned environment with sufficient ventilation. Do not move this device while the power is on. Handle with care.
- This device generates heat during the duplication process. Out-of-specification or unstable power supply may cause overheating, low productivity, increased failure rate, and damage to the device.
- Use a reliable power source with correct voltage and ample current supply. Give this device a dedicated power outlet. Do not share the outlet with other devices.
- Please make it a habit to always unplug the power cord before troubleshooting or performing maintenance. Always turn the power switch to the Off position when connecting the power cord.
- Do not attempt to disassemble this device or touch any of the moving parts. Refer servicing to qualified service personnel. Unauthorized disassembly or repair will void all warranty.

Acknowledgments

© 2012, Acronova Technology Inc. All rights reserved.

Notices: Reproduction, adaptation, or translation without prior written permission is prohibited.

Trademarks: Acronova, Nimbie, Genii, Xymba, DupliQ, and Apus are the trademarks of Acronova Technology Inc. All other products, brands, and trademarks are the property of their respective owners.

FCC Compliance: This equipment has been tested and found to comply with the limits for a Class B digital device, pursuant to Part 15 of the FCC Rules. These limits are designed to provide reasonable protection against harmful interference in a residential installation.

This equipment generates, uses, and can radiate radio frequency energy and, if not installed and used in accordance with the instructions, may cause harmful interference to radio communications. However, there is no guarantee that interference will not occur in a particular installation. If this equipment does cause harmful interference to radio or television reception, which can be determined by turning the equipment off and on, the user is encouraged to try to correct the interference by one or more of the following measures:

- Reorient or relocate the receiving antenna.
- Increase the separation between the equipment and receiver.
- Connect the equipment to an outlet on a circuit different from that to which the receiver is connected.
- Consult the dealer or an experienced radio/TV technician.

Use of shielded cables is required to comply with the Class B limits of Part 15 of the FCC Rules. You are cautioned that any changes or modifications not expressly approved in this manual could void your authority to operate and/or obtain warranty service for this equipment.

Limited Warranty (North America): The information contained in this document is subject to change without notice. Acronova Technology Inc. makes no warranty of any kind with respect to this information.

Acronova Technology Inc. guarantees this device for a period of one year from the date of delivery, free from defects in material and workmanship. In case of malfunction or fault, Acronova Technology Inc. will, at its option, repair or replace the product.

You must return the defective product, protected in the original packaging, with a valid RMA number, to an authorized dealer or reseller within the warranty period accompanied with the proof of purchase.

This warranty only covers parts made by Acronova Technology Inc. For parts made by other manufacturers, such as hard disks, and disc recorders, the original manufacturer's warranty applies.

This warranty will not cover abuse, misuse, alteration, modification, tampering, negligence, faulty installation, accidents, lack of reasonable care, unauthorized repairs or service, or if installed to any

device not provided with the product, or if the serial number label provided with this product has been broken or removed.

This warranty does not cover damages that occur in shipment, due to acts of God. All repairs and replacement services shall only be handled by Acronova Technology Inc, and by authorized service centers. Parts used for replacement are covered only for the remainder of the warranty period.

Acronova Technology Inc. disclaims all implied warranties on this product, including without limitation warranties of merchantability, performance, and fitness for a particular purpose.

In no event will Acronova Technology Inc. be liable for direct, indirect, special, incidental, tort, economic, contingent or consequential damages resulting from any defect in this product or its documentation, including, without, limitation, damages or costs relating to the loss of data, profits, business or goodwill, even if Acronova Technology Inc., its authorized dealers or resellers have advertised the possibilities of such damages. In no case shall Acronova Technology Inc.'s liability exceed the amount paid by the user of this product out of which such claim arose.

Any written or oral information or advice given by the dealer, reseller, agent, sales representative, or employee of Acronova Technology Inc. will in no way increase the scope of this warranty nor should you rely on such oral or written communication.

Technical Support: For technical support and assistance, please contact your local dealer.

For additional information regarding optical disc duplication, printing, and management please visit our website. We value your comments and suggestions and thank you for your purchase.

Acronova Technology, Inc.
<http://www.acronova.com>

Table of Contents

Preface.....	2
Specifications.....	6
Unpacking Your Package.....	7
Package Contents.....	7
Getting Familiar with the device.....	9
A Look at Nimbie USB Plus.....	9
Rear View.....	10
LED Indicators	10
Installation.....	12
Finding a Place for Nimbie USB Plus.....	12
Attaching the Legs.....	12
Nimbie USB Plus Installation.....	13
Software Installation.....	13
Before Getting Started.....	15
Handling Optical Discs.....	15
Loading Discs to Nimbie USB Plus.....	15
Rejected Discs.....	16
More Than 30 Discs in One Session.....	16
Nimbie USB Plus Maintenance.....	17
Choosing Reliable Blank Discs.....	17
Disc Separation.....	18
Operation Quick Guide.....	19
Frequently Asked Questions.....	22
Appendix A: Tips.....	23
Nimbie USB Plus Maintenance.....	23
Choosing Reliable Blank Discs.....	23
Disc Separation.....	23
Writing Speed.....	24
SuperSpeed USB 3.0	24
Appendix B: Working with ImgBurn.....	25
How to get Nimbie USB Plus working in ImgBurn.....	25
How to check Nimbie USB Plus in ImgBurn.....	27

SPECIFICATIONS

Disc Recorder	One Blu-ray/CD/DVD recorder
Input Capacity:	30 discs; 100 discs using extension rods (increased capacity using non-stop refill)
Output Capacity:	Dependent capacity (finished discs are placed in front of the unit, in a separate container, or Disc Storage Bin)
Reject Disc Capacity:	5 discs without legs; 30 discs using legs
Write Speed:	BD-R: 12X DVD±R: 16X CD-R: 40X
Interface:	USB 3.0 SuperSpeed (backward compatible with USB 2.0)
Disc Size:	120 mm in diameter
Operation Temperature:	42°F to 86°F (6°C to 30°C)
Humidity:	5% to 85%, no condensation
Certification:	CE and FCC; power adapter is UL approved
Dimensions:	7-3/4" x 8-1/2" x 15-3/8"; 19.5 x 21.3 x 39 cm
Weight:	3 kg; 6.5 lbs (varies upon configuration)
Power:	100 to 240VAC; 50 or 60 Hz

*Specifications are subject to change without notice.

**To use Nimbie USB Plus at its MAXIMUM speed, a USB 3.0 compatible PC or Host Card is required.

UNPACKING YOUR PACKAGE

Congratulations on purchasing the Nimbie USB Plus Disc Autoloader. Nimbie USB Plus is a state-of-the-art integrated system, with a built-in single optical disc recorder, USB 3.0 interface and autoloader, which requires a PC and software to operate.

Nimbie USB Plus has a 30 disc capacity and an enclosure that protects discs from dust. Thanks to the first-in-first-out (FIFO) mechanism, the capacity can be easily increased to 100 discs by using storage extension rods. It can also detect faulty discs and separate them from a duplication session.

SuperSpeed USB 3.0 enables Blu-ray faster read and write speeds up to 12x. Nimbie USB Plus provides faster and more stable burning performance. USB 3.0 is also backward compatible with USB 2.0.

In addition to burning discs, Nimbie USB Plus can also automatically rip or read a stack of discs by running compatible software. Refer to the operation manual that came with the installation disc for further details.

Please read this manual carefully before using Nimbie USB Plus. This user guide contains all the information about its operation and maintenance. For additional information regarding optical disc duplication, printing, and management please visit our website. We value your comments and suggestions and thank you for your purchase.

Package Contents

Before opening the package, carefully inspect for any damage. If there is any sign of damage, contact the shipping company and your local dealer immediately.

Save the packing materials in case you need to ship or return your product. The original packaging will ensure the product is protected during transportation. Returning goods without the original packaging may not protect the product during transportation, and will void your warranty.

Once you have removed all the parts contained in your package, please check if any parts are missing or damaged. If any part is missing or damaged, contact your local dealer immediately.

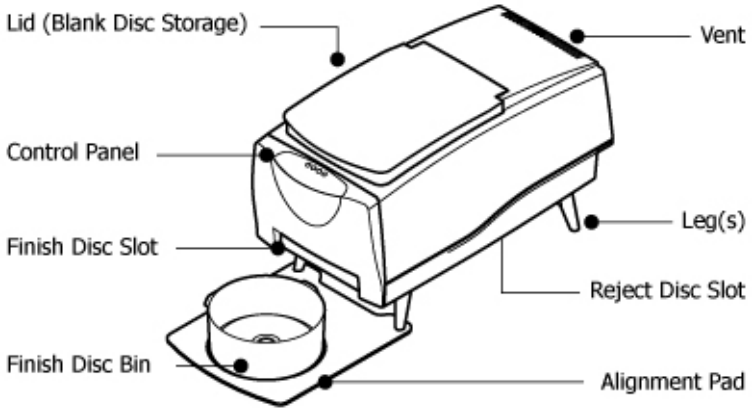
The items listed below should be included in the package:

- One Nimbie USB Plus Disc Autoloader
- One Power Cord
- One Power Adapter
- One USB 3.0 Cord (backward compatible with USB 2.0)
- One Spindle Box (serves as the Finish Disc Bin)
- Three Extension Rods (attached to the underside of Nimbie USB Plus' lid)
- One Alignment Pad
- Four Legs
- One Installation Disc (includes device driver and software)
- One Operation Manual
- Two Software Manuals

*To use Nimbie USB Plus at its MAXIMUM speed, a USB 3.0 compatible PC or Host Card is required.

GETTING FAMILIAR WITH THE DEVICE

A Look at Nimbie USB Plus



- **Lid (Blank Disc Storage)**
Open the lid to access the blank disc storage area.
- **Control Panel**
Located on the top front of Nimbie USB Plus, the control panel contains the LED indicators.
- **Legs**
Use the four legs included with your Nimbie USB Plus to provide space underneath for rejected discs.
- **Reject Disc Slot**
The rejected discs will slide out from the Reject Disc Slot at the bottom of the unit. Always allow space beneath Nimbie USB Plus to accommodate rejected discs.
- **Finish Disc Slot**
Finished discs will exit from this slot.
- **Finish Disc Bin**
This bin serves as the storage container for receiving and stacking completed discs. As illustrated, a spindle box serves as a good Finish Disc Bin.
- **Alignment Pad**
Use the pad to appropriately position the Finish Disc Bin under the Finish Disc Slot.

- **Vent**
This allows heat to escape. Do not block this otherwise the unit may overheat.

Rear View



- **Power Switch**
Turn Nimbie USB Plus on and off.
- **Power Socket**
Use the provided power cord to connect Nimbie USB Plus to a wall outlet.
- **USB 3.0 Port**
Connects Nimbie USB Plus to the host PC (required for USB 3.0 speeds or backward compatible with USB 2.0 at USB 2.0 transfer speeds).
- **Kensington Security Slot**
Security lock anti-theft system.

*To use Nimbie USB Plus at its MAXIMUM speed, a USB 3.0 compatible PC or Host Card is required.

LED Indicators

Nimbie USB Plus' operation status is reflected by the LED indicators. When turned on, it will enter initialization indicated by a flashing green ready light. When initialization is complete, the ready light will change to steady green. The table below describes the meanings of the LED indicators.



E	L	U	R	Description
●	◉	●	◉	Initialization in progress...
●	○	○	○	USB 3.0/SuperSpeed connection established (discs in loader)
●	○	○	◉	USB 3.0/SuperSpeed connection established (disc-loader empty)
●	○	●	○	USB 2.0/Hi-speed connection established (discs in loader)
●	○	●	◉	USB 2.0/Hi-speed connection established (disc-loader empty)
●	●	●	○	USB connection NOT detected (discs in loader)
●	●	●	◉	USB connection NOT detected (disc-loader empty)
◉	●	●	●	Hardware error (no USB connection)
◉	○	○	●	Hardware error (USB 3.0/SuperSpeed connection)
◉	○	●	●	Hardware error (USB 2.0/Hi-speed connection)

○: Lit

●: Off

◉: Flash

INSTALLATION

Finding a Place for Nimbie USB Plus

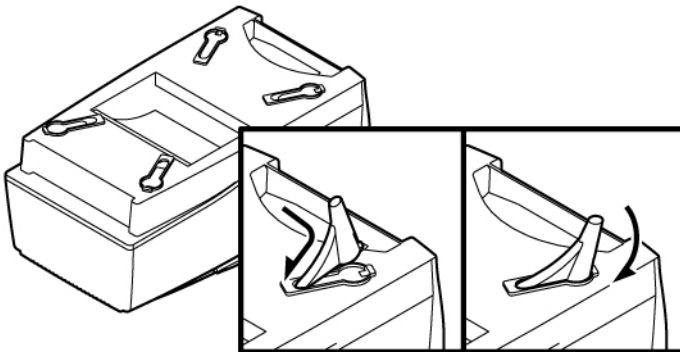
Nimbie USB Plus should be placed on a fairly level surface, firm enough to support the unit and discs. Always allow ample workspace for your operation, with easy access to the blank and finished discs.

Do not expose the unit to direct sunlight or high humidity, as it may cause the unit to malfunction.

If you desire, Nimbie USB Plus can be placed on a raised block so there is ample room to receive discs from the Finish Disc Slot. Please refer to the "More Than 30 Discs in One Session" section for details.

Attaching the Legs

Inserting one leg after another on Nimbie's base, match the leg to Nimbie and gently snap the leg into the receptacle until it is firmly attached.



To remove the legs, gently press the notch and pull it outward from the receptacle.

Nimbie USB Plus Installation

Follow the steps below to complete Nimbie USB Plus's hardware installation:

- 1) Place Nimbie USB Plus on level surface so that it stands firmly on its legs.
- 2) Place the spindle box that came with the unit in front of Nimbie USB Plus. Use the alignment pad to appropriately position the spindle box under the Finish Disc Slot.
- 3) Use the power cord that came with the unit to connect Nimbie USB Plus to a wall outlet with a reliable power supply.

You have now successfully completed the installation of Nimbie USB Plus.

Software Installation

Nimbie USB Plus requires a device driver to be installed before it can work properly with the application software. Before starting the application software installation, the device driver must be installed.

System Requirements

- Microsoft Windows XP / Vista / 7 or Apple OS X 10.6 / 10.7 (for QQGetTray only)
- 1GB RAM or higher
- Optical disc drive (to install the device driver and software from the installation disc)
- SuperSpeed USB 3.0 port (backward compatible with USB 2.0)

Device Driver Installation

Follow the steps below to complete device driver installation:

- 1) Connect the power cord to Nimbie USB Plus and a wall outlet.
- 2) Turn on the host computer, which is connected to Nimbie USB Plus via USB cable.
- 3) Insert the provided installation disc into your optical drive on PC.
- 4) The Windows will launch the installation application automatically.

Note:

For Windows Vista user, click Run SETUP.EXE on AutoPlay window to start installation. When the User Account Control screen pops up, click Continue.

- 5) Click "Install Driver" and follow the instruction to install.

- 6) Wait patiently until the initialization is complete.
You may now proceed to install the application software.

Note:

Mac system will install the driver automatically after install the QQGetTray software .

Application Software Installation

Nimbie USB Plus application software is included in the installation disc. Follow the steps below to complete the installation:

- 1) Insert the installation disc into an available optical drive on PC.
- 2) After the Main Menu is launched, click Install and follow the on-screen instructions to get application software installed.

Note:

For Windows Vista user, click Run SETUP.EXE on AutoPlay window to start installation. When the User Account Control screen pops up, click Continue.

- 3) After the application software has been properly installed, software shortcuts shall appear on desktop.
- 4) Remove the installation disc and keep it safe for future use.

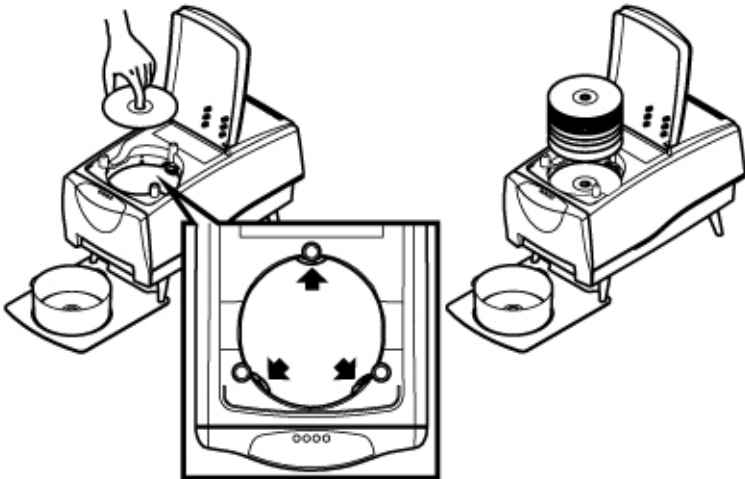
BEFORE GETTING STARTED

Handling Optical Discs

Never touch the printable or data surface of the discs, as it may decrease disc quality and lifespan. Always handle discs from the outer edge or the center hole.

Loading Discs to Nimbie USB Plus

Load one disc into the disc loader first and assure it is firmly resting on the three wheels in the illustration to the right. Then, gradually add and stack additional discs on top of the first disc until the loader is full.

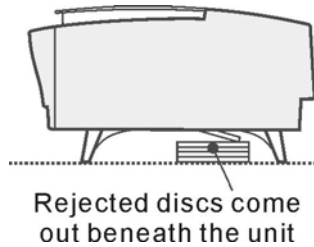


Nimbie USB Plus processes discs in a First In, First Out (FIFO) sequence. During a job, you can gently add more disc, before the loader becomes empty.

Rejected Discs

Nimbie USB Plus is designed to have Rejected Discs come out underneath the unit. Do not block the Reject Disc Slot.

Periodically remove rejected discs so that there is room to accommodate more discs or raise Nimbie USB Plus using the provided legs to increase space underneath for more discs.



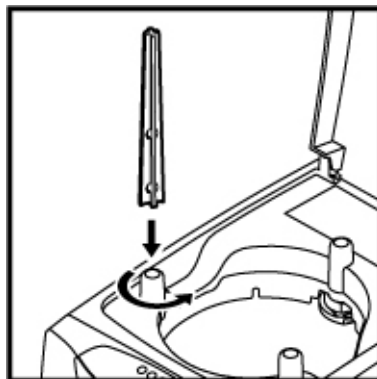
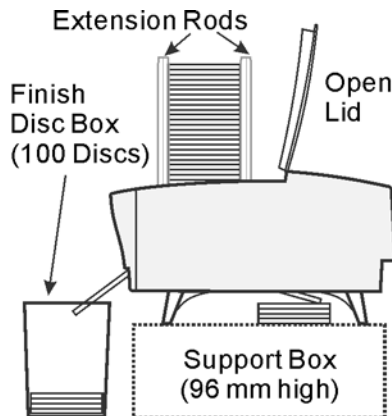
Important:

Nimbie USB Plus will stop operation if rejected discs cannot go through the Reject Disc Slot.

More Than 30 Discs in One Session

Using the extension rods, Nimbie USB Plus can process 100 discs without refilling. To increase capacity to 100 discs, please follow the instructions below:

- 1) Open the Blank Disc Storage Lid.
- 2) Remove the extension rods from the lid's underside.
- 3) One after another align the rods into the three holes on the disc loader, then, gently turn the rods counterclockwise to make sure that they are firmly attached.
- 4) Use a suitable box to raise Nimbie USB Plus approximately 96 mm high to accommodate for the output of 100 discs.
- 5) Use the alignment pad to appropriately position the Finish Disc Bin below the Finish Disc Slot. The Finish



Disc Bin may be a spindle box or a container with enough depth to accommodate 100 discs in a session.

Since Nimbie USB Plus is equipped with a FIFO (First-In-First-Out) disc loader, you may simply refill discs before the disc loader becomes empty. This will allow an unlimited number of additional discs to be processed in one session, as long as the Finish Disc Bin is continually emptied.

To remove the extension rods from the disc loader, turn the rods clockwise and pull them upward vertically. When not using the rods, return them to their original position on the lid's underside.

Nimbie USB Plus Maintenance

Periodically cleaning the device will ensure proper performance. Follow the steps below to maintain Nimbie USB Plus:

- 1) Turn the power switch to the Off position.
- 2) Remove the master and blank discs.
- 3) Unplug the power cord from the wall outlet.
- 4) Clean Nimbie USB Plus using a lint-free cloth moistened with warm water.
- 5) Dry the unit immediately with a dry lint-free cloth.

Choosing Reliable Blank Discs

The quality of a recordable disc depends on its chemical and coating technology. There are a variety of discs with various degrees of disc quality available on the market. If you encounter a high failure rate, please try a different type, speed, or brand of disc.

There are many different brands, speeds and CD/DVD recordable media formats on the market. We do our best to test certain media types. It is impossible for us to guarantee that all discs will be compatible.

Please choose a blank disc that is most suitable for your application. You may contact your local dealer for advice on the best suitable blank disc for your system. In addition, we suggest users to test blank discs by using disc simulation before actually writing to discs.

Important:

As with blank discs, the quality and the data format of the master disc play a critical role in the duplication process.

Disc Separation

Certain blank discs may tend to stick to each other or may be difficult to separate. Avoid using these types of discs. Nimbie USB Plus is equipped with a patent pending disc separator, which handles discs that adhere to each other better than traditional autoloaders. However, it is strongly recommended that you separate or loosen blank discs from each other before use.

OPERATION QUICK GUIDE

Follow the steps below to get your Nimbie USB Plus ready.

Turning Nimbie USB Plus On

- 1) Connect the power cord to Nimbie USB Plus and a wall outlet.
- 2) Turn on the host computer, which is connected to Nimbie USB Plus via USB 3.0 port.
- 3) Connect USB 3.0 cable to both Nimbie USB Plus and your PC.
- 4) Turn Nimbie USB Plus's power switch to the On position.
- 5) Wait for the robotic initialization process to complete, then the "ready" indicator will light up.
- 6) Launch application software.

Refer to application software user's guide for operation directions

For details on software operation, please check out application software user's guide.

Turning Nimbie USB Plus Off

Unplug the USB cable which connects your host PC and Nimbie USB Plus. Then, turn the power switch to the Off position. In case there is a session underway, abort or wait until it has completed.

We recommend that you unplug the cord for safety when Nimbie USB Plus is not used for extended periods of time.

Start QQGetTray for Mac

QQGetTray is a software utility enables autoloader to automatically load and unload discs with other 3rd party software applications.

Many software applications are capable of processing disc burning or ripping jobs automatically after a disc is loaded to a CD/DVD drive and will eject the drive tray when the job is finished. With QQGetTray monitoring the drive tray, the autoloader can automatically unload the disc when the tray is ejected, then close the tray automatically after the next disc is loaded.

Set up third party software for auto-loading process

Make sure the software has been set to:

1. Auto-process when a disc is loaded into the CD/DVD drive.
2. Eject the disc after the job is done.
3. Select Nimbie USB Plus as the external drive.

Examples:

- iTunes

Set iTunes to "Import and Eject" under Edit > Preferences.

- Windows Media Player

Set "Rip CD Automatically When Inserted" to "Always", and check "Eject CD After Ripping" under "Rip Options".

More tutorials are available on Broadex Systems' website:

<http://www.broadexsystems.com/>

Launch QQGetTray under OS X

To Launch QQGetTray, click the icon in the application folder to bring up the following screen:



There are 4 buttons in the main menu:

- **START**

Click this button to start QQGetTray, Nimble USB Plus will begin to monitor the disc tray and change discs automatically. The "START" button will change to "STOP" after activation.

- **START and LOAD**

Click this button to start QQGetTray, Nimble USB Plus will load a disc into its CD/DVD drive, then begin monitoring the disc tray and change discs automatically. The "START and LOAD" button will change to "STOP and UNLOAD" button after activation.

- **LOAD**

Click this button to load a disc into the autoloader. This function will be disabled if either the "START" or "START and LOAD" is activated.

- **UNLOAD**

Click this button to unload a disc from the autoloader. This function will be disabled if either the "START" or "START and LOAD" is activated.

After "START" or "START LOAD" is activated, you can minimize the QQGetTray window.

FREQUENTLY ASKED QUESTIONS

What should I do when software can not detect the autoloader?

- Make sure the disc autoloader is connected to PC via USB 3.0 or USB 2.0 and the power is on.
- Make sure the autoloader's LED display is on "Ready" status.
- Make sure the disc autoloader's driver is installed properly. Refer to the "Software Installation" section on how to install the driver.
- Try another USB slot on PC and check the connection.

What should I do when the disc burning takes too long?

- Double check the cable connection and make sure your PC supports USB 3.0 or USB 2.0. To use Nimbie USB Plus at its MAXIMUM speed, a USB 3.0 compatible PC or Host Card is required.

What should I do when discs get stuck in the disc loader?

- Check to see if the disc is the standard size (120mm).
- Make sure discs are level in the loader.

What should I do when the autoloder dropping two or more discs at the same time?

- Check to see if the disc is the standard size (120mm).
- Make sure the discs are level when inserted.
- Separate or loosen the discs from each other before use.
- Use the same brand of discs. Do not mix disc types or brands.

What should I do when Nimbie USB Plus is showing an error on the LED display?

- Please remove all the discs in the loader. Be sure to check for any discs that may be stuck inside the unit.
- You can also turn the power switch to the Off position and back to the On position after waiting for 30 seconds. If this does not solve the problem, please contact your dealer or authorized service center.

For more information, visit Acronova Knowledge Base on the website:

<http://www.acronova.com/kb/>

APPENDIX A: TIPS

Nimbie USB Plus Maintenance

Periodically cleaning the device will ensure proper performance. Follow the steps below to maintain Nimbie USB Plus:

- 1) Turn the power switch to the Off position.
- 2) Remove the master and blank discs.
- 3) Unplug the power cord from the wall outlet.
- 4) Clean Nimbie USB Plus using a lint-free cloth moistened with warm water.
- 5) Dry the unit immediately with a dry lint-free cloth.

Choosing Reliable Blank Discs

The quality of a recordable disc depends on its chemical and coating technology. There are a variety of discs with various degrees of disc quality available on the market. If you encounter a high failure rate, please try a different type, speed, or brand of disc.

There are many different brands, speeds and BD/CD/DVD recordable media formats on the market. We do our best to test certain media types. It is impossible for us to guarantee that all discs will be compatible.

Please choose a blank disc that is most suitable for your application. You may contact your local dealer for advice on the best suitable blank disc for your system. In addition, we suggest users to test blank discs by using disc simulation before actually writing to discs.

Important:

As with blank discs, the quality and the data format of the master disc play a critical role in the duplication process.

Disc Separation

Certain blank discs may tend to stick to each other or may be difficult to separate. Avoid using these types of discs. Nimbie USB Plus is equipped with a patent pending disc separator, which handles discs that adhere to each other better than traditional autoloaders. However, it is strongly recommended that you separate or loosen blank discs from each other before use.

Writing Speed

The recorder will automatically adjust the writing speed according to the disc quality. The system will monitor and automatically adjust the writing speed as the optical laser moves from the inner ring to the outer ring, up to the selected speed. The recorder's maximum speed may never be reached if a lower grade disc is used.

At the maximum speed, for a single recorder, duplicating a 4.7 GB DVD should not take more than 8 minutes. Please check both the quality of the blank and the master disc if the duplication process takes more than 8 minutes for a single disc. Use a reliable master disc for testing purposes. You should also try different specification and brands of blank discs.

You should also check the power supply's voltage and amperes. Insufficient power supply may decrease output rate or increase failure rate.

As a general rule, a lower writing speed will improve quality. When creating audio and video discs a lower writing speed is recommended to assure quality.

SuperSpeed USB 3.0

In order to achieve the full USB 3.0 SuperSpeed, a PC with built-in USB 3.0 ports or USB 3.0 host card installed is required.

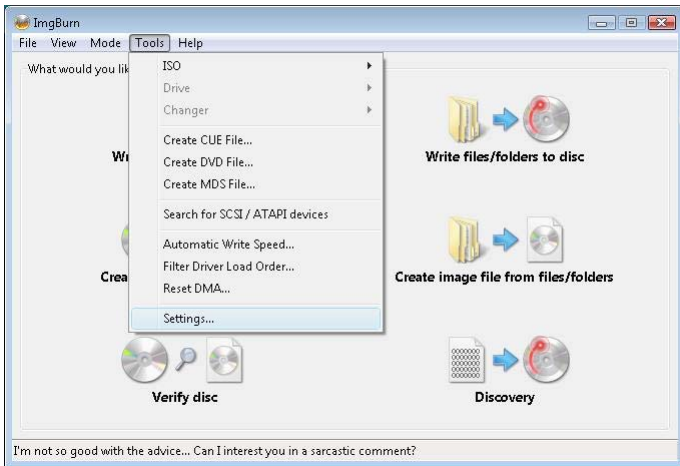
USB 3.0 interface is backward compatible with USB 2.0, however the transfer rate will be limited at USB 2.0.

Mac hardware currently do not support USB 3.0, Nimbie USB Plus can only be used as a USB 2.0 device on Mac computers.

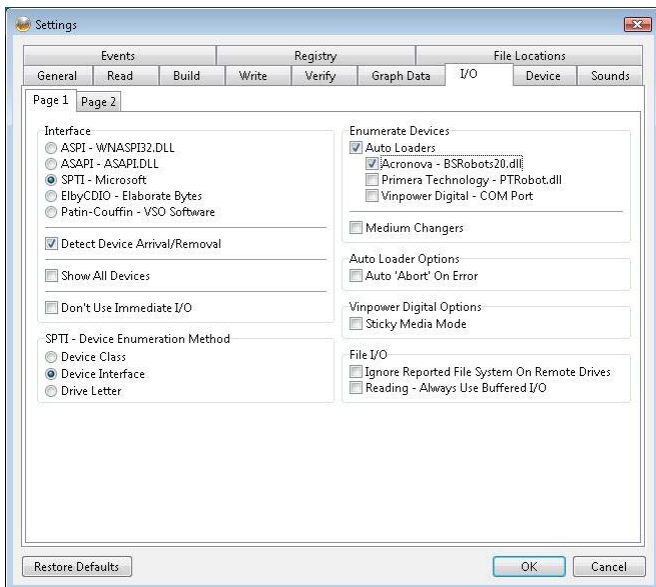
APPENDIX B: WORKING WITH IMG BURN

How to get Nimbie USB Plus working with ImgBurn

1. Connect Nimbie USB Plus to PC and switch it on.
2. Download and install ImgBurn burning software.
Go to ImgBurn website – <http://www.imgburn.com/>
3. Copy files BSRobot20.dll & winusb.dll from installation disc \ImgBurn\ folder to where you installed ImgBurn (i.e. C:\Program Files\ImgBurn) in the same folder as ImgBurn.exe.
4. Launch ImgBurn burning software.
5. Click the “Tools” menu and select “Settings”.



6. Switch to the “I/O” tab, and enable the “Auto Loaders” option and “Acronova – BSRobots20.dll” option. Then click “OK” to finish the setting.



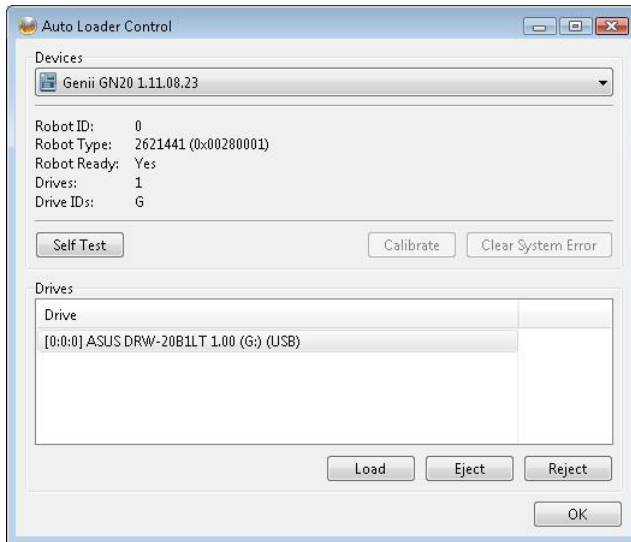
7. ImgBurn will start detecting Nimbie USB Plus now.
8. If the autoloader detection did not start automatically, you can close ImgBurn and run it again, it will automatically detect the Nimbie USB Plus.
9. Now you can use ImgBurn with Nimbie USB Plus to unload discs after burnt, and load the next blank disc automatically.

Reminder:

Please pick up the RW that provided by Nimbie USB Plus as the destination in ImgBurn.

How to check Nimbie USB Plus in ImgBurn

1. There is an “Auto Loader Control” function in ImgBurn and you can use it to test the Nimbie USB Plus.



2. You can click the “Tool” menu, and select “Changer” > “Auto Loader Control” to launch it.

Acronova Technology, Inc.
<http://www.acronova.com>
Manual Ver.: 1.2, February 2012
Part #: 711-NT21-9AC6-1