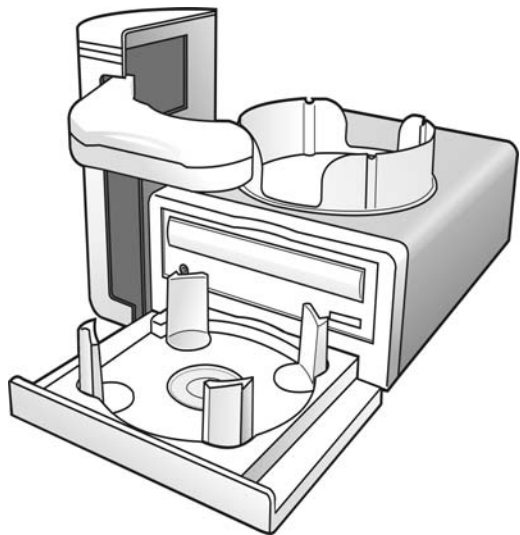


OPERATION MANUAL



Operation Manual

DupliQ Automated Disc Recorder

Model #: DQ-5610 Series (PC-Connected)

Serial Number: _____

(The serial number is labeled on the rear panel of the device.)

(This page is intentionally left blank.)

PREFACE

Important Safety Instructions

For your safety, basic precautions should always be followed to reduce risk of damage, electric shock, fire, and personal injury. This includes the following:

- Read this manual carefully and follow all warnings and instructions.
- Operate the unit with only the proper electrical specifications as labeled on the device. Use only 3-wire extension cords that have 3-prong grounding plugs and 3-pole grounding receptacles that accept your device's plug. Make sure the device is connected to a known ground.
- Do not expose this unit to direct sunlight, rain, moisture, water, flammable material, gas, dust, dirt, smoke, pollution or abrupt humidity changes.
- Place this device on a steady level surface in an air-conditioned environment with sufficient ventilation. Do not move this device while the power is on. Handle with care.
- This device generates heat during the duplication process. Out-of-specification or unstable power supply may cause overheating, low productivity, increased failure rate, and damage to the device.
- Use a reliable power source with correct voltage and ample current supply. Give this device a dedicated power outlet. Do not share the outlet with other devices.
- Please make it a habit to always unplug the power cord before troubleshooting or performing maintenance. Always turn the power switch to the Off position when connecting the power cord.
- Do not attempt to disassemble this device or touch any of the moving parts. Refer servicing to qualified service personnel. Unauthorized disassembly or repair will void all warranty.

Acknowledgments

© 2010, Acronova Technology Inc. All rights reserved.

Notices: Reproduction, adaptation, or translation without prior written permission is prohibited.

Trademarks: Acronova, Nimbie, GetTray, Xymba, DupliQ, and Apus are the trademarks of Acronova Technology Inc. All other products,

brands, and trademarks are the property of their respective owners.

FCC Compliance: This equipment has been tested and found to comply with the limits for a Class B digital device, pursuant to Part 15 of the FCC Rules. These limits are designed to provide reasonable protection against harmful interference in a residential installation.

This equipment generates, uses, and can radiate radio frequency energy and, if not installed and used in accordance with the instructions, may cause harmful interference to radio communications. However, there is no guarantee that interference will not occur in a particular installation. If this equipment does cause harmful interference to radio or television reception, which can be determined by turning the equipment off and on, the user is encouraged to try to correct the interference by one or more of the following measures:

- Reorient or relocate the receiving antenna.
- Increase the separation between the equipment and receiver.
- Connect the equipment to an outlet on a circuit different from that to which the receiver is connected.
- Consult the dealer or an experienced radio/TV technician.

Use of shielded cables is required to comply with the Class B limits of Part 15 of the FCC Rules. You are cautioned that any changes or modifications not expressly approved in this manual could void your authority to operate and/or obtain warranty service for this equipment.

Limited Warranty (North America): The information contained in this document is subject to change without notice. Acronova Technology Inc. makes no warranty of any kind with respect to this information.

Acronova Technology Inc. guarantees this device for a period of one year from the date of delivery, free from defects in material and workmanship. In case of malfunction or fault, Acronova Technology Inc. will, at its option, repair or replace the product.

You must return the defective product, protected in the original packaging, with a valid RMA number, to an authorized dealer or reseller within the warranty period accompanied with the proof of purchase.

This warranty only covers parts made by Acronova Technology Inc. For parts made by other manufacturers, such as hard disks, and disc recorders, the original manufacturer's warranty applies.

This warranty will not cover abuse, misuse, alteration, modification,

tampering, negligence, faulty installation, accidents, lack of reasonable care, unauthorized repairs or service, or if installed to any device not provided with the product, or if the serial number label provided with this product has been broken or removed.

This warranty does not cover damages that occur in shipment, due to acts of God. All repairs and replacement services shall only be handled by Acronova Technology Inc, and by authorized service centers. Parts used for replacement are covered only for the remainder of the warranty period.

Acronova Technology Inc. disclaims all implied warranties on this product, including without limitation warranties of merchantability, performance, and fitness for a particular purpose.

In no event will Acronova Technology Inc. be liable for direct, indirect, special, incidental, tort, economic, contingent or consequential damages resulting from any defect in this product or its documentation, including, without, limitation, damages or costs relating to the loss of data, profits, business or goodwill, even if Acronova Technology Inc., its authorized dealers or resellers have advertised the possibilities of such damages. In no case shall Acronova Technology Inc.'s liability exceed the amount paid by the user of this product out of which such claim arose.

Any written or oral information or advice given by the dealer, reseller, agent, sales representative, or employee of Acronova Technology Inc. will in no way increase the scope of this warranty nor should you rely on such oral or written communication.

Technical Support: For technical support and assistance, please contact your local dealer.

For additional information regarding optical disc duplication, printing, and management please visit our website. We value your comments and suggestions and thank you for your purchase.

Acronova Technology, Inc.
<http://www.acronova.com>

Table of Contents

Preface	3
Important Safety Instructions	3
Acknowledgments	3
Unpacking Your DupliQ	7
Package Contents	8
Getting Familiar with DupliQ	9
Block Diagram	9
A Look at DupliQ	9
Hardware Installation	10
Finding a Place for DupliQ	10
Assembling Your Duplicator	10
Software Installation	13
System Requirements	13
Device Driver Installation	13
Before Getting Started	14
Tips for Handling Optical Discs	14
What You Need to Start a Disc Publishing Session	14
Turning DupliQ On	14
Turning DupliQ Off	14
Appendix	15
DupliQ Maintenance	15
Choosing Reliable Blank Discs	15
Disc Separation	15
Writing Speed	16
Frequently Asked Questions	17
Specifications	18

UNPACKING YOUR DUPLIQ

Congratulations! You have just purchased DupliQ DQ-5610, the world's smallest and innovative automated CD/DVD recorder that is designed for office and home users.

Your DupliQ DQ-5610 can be connected to a host computer or notebook via USB 2.0 interface. Enabled with an intelligent application firmware, this patent pending state-of-the-art robotic mechanism is capable of, automatically load and unload discs continuously without any human intervention, thus maximizing your workflow efficiency.

Basically, your DupliQ DQ-5610 is an external USB CD and/or DVD recorder with an auto-loader that is capable of fulfilling the needs of any office demands for digital information storage and duplication process. The patent-pending input tray can handle 12cm, 8cm and certain business-card disc with one easy turn on the disc holding pillars. Up to 25 discs can be loaded at a time for an automated batch operation.

The DupliQ DQ-5610 is simple to use. It operates just like another external USB disc recorder. Turn on the power, connect it to your computer's USB port, load the disc, start the application software, and you are ready to go!!

This manual provides all the necessary information on installation and operation of your DupliQ DQ-5610. Please read it thoroughly before using.

For more information regarding duplication, printing, and the management of optical discs, please log on to our website www.acronova.com, or feel free to contact us whenever you have any question or feedback.

Please read this manual carefully before using DupliQ. This user guide contains all the information on its operation and maintenance. We value your comments and suggestions and thank you for your purchase.

Warning...

It is illegal to duplicate copyright materials, including computer software, games, audio CD, VCD, DVD, and others. Violators may be subject to fine or prosecuted under the federal laws. Some vendors may allow you to make reasonable back-up copy of the disc, but not all of them do. If you are not sure about the copyright policy of any optical disc, please contact the original publisher.

Package Contents

Before opening the package, carefully inspect for any damage. If there is any sign of damage, contact the shipping company and your local dealer immediately.

Save the packing materials in case you need to ship or return your product. The original packaging will ensure the product is protected during transportation. Returning goods without the original packaging may not protect the product during transportation, and will void your warranty.

Once you have removed all the parts included with your package, please check to see if any pieces are missing or damaged. If any part is missing or damaged, contact your local dealer immediately.

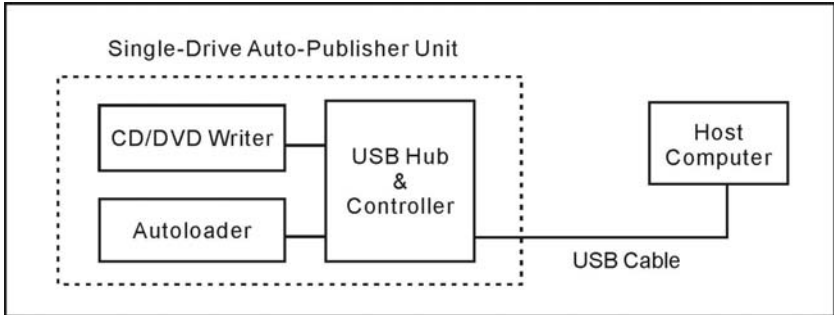
The items listed below should be included in the package:

- One DupliQ DQ-5610 Automated Disc Recorder
- One power cord
- One power adapter
- One USB cord
- One output tray (attached on top of the DupliQ).
- One input tray (to be connected to the front of the DupliQ).
- Four pillars for input tray (two sets of pillars, two pieces each)
- One installation disc (includes device driver and software)
- One operation manual
- One software manual

GETTING FAMILIAR WITH DUPLIQ

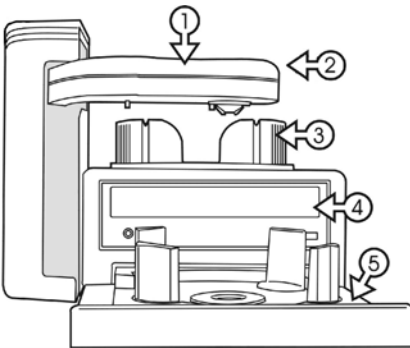
Block Diagram

DupliQ DQ-5610 is an integrated system with a single optical disc drive, and autoloader. See the illustration below.



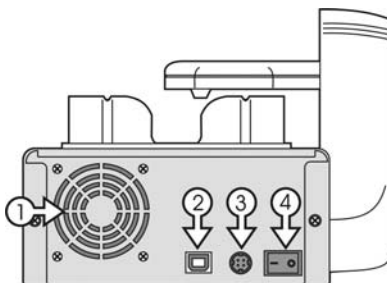
A Look at DupliQ

The front view of your DupliQ is illustrated as the below:



1. Robotic Arm (auto-loader)
2. LED Status indicator
Green: Ready
Yellow: Burning
Red: Error
3. Output Bin (for output disc)
4. CD/DVD Recorder
5. Input Tray (for blank disc)

The rear view of your DupliQ is illustrated as the below:



1. Ventilation Fan
2. USB Port
3. Power Socket
4. Power Switch

Warning...

Do not block the ventilation fan during operation. Overheat may damage the device or the disc.

HARDWARE INSTALLATION

Finding a Place for DupliQ

DupliQ should be placed on a fairly level surface, firm enough to support the unit and discs. Always allow ample workspace for your operation, with easy access to the blank and finished discs.

Do not expose the unit to direct sunlight or high humidity, as it may cause the unit to malfunction.

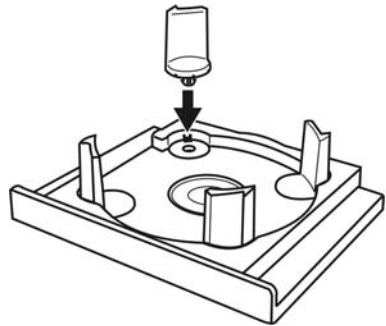
Assembling Your Duplicator

Simply follow the steps below carefully to assemble your DupliQ:

- 1) Make sure the power adaptor is unplugged from DupliQ, as well as, turn off the power switch on the rear of DupliQ.
- 2) Install the four pillars one by one onto the input tray.

⚠ Warning...

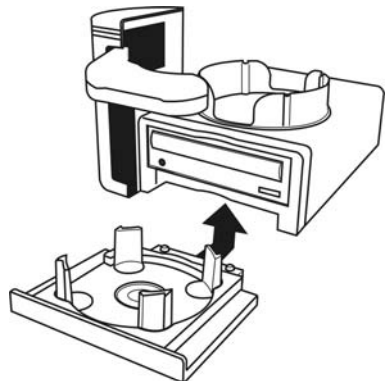
There are two different sets of pillars, large and small connectors. Please carefully distinguish them, and place the similar pillars diagonally across from each other.



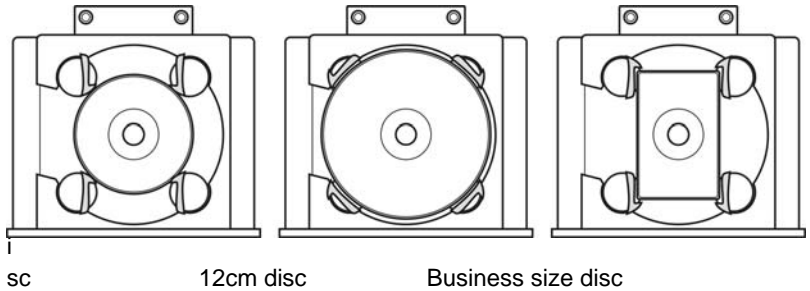
- 3) Assemble the input tray on to DupliQ from the bottom by carefully pressing it firmly upward. Refer to the illustration on the right.

⚠ Warning...

Before turning on the power, please make sure that you have tightly compressed the Input Bin onto the DupliQ.



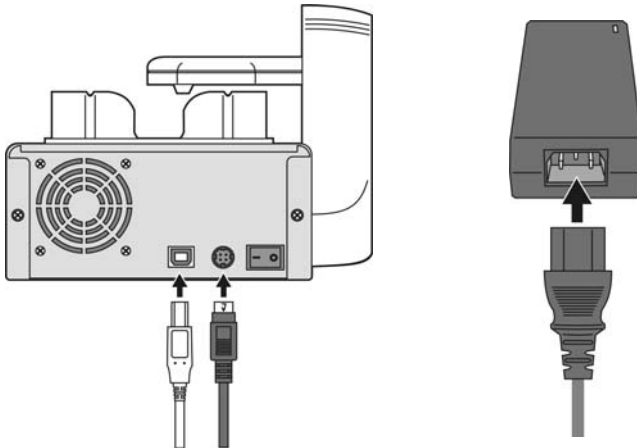
- 4) To use different discs, 8cm, 12cm and business card sizes, just rotate the four pillars as shown in the diagram below



Note:

There are a variety of business card size disc. Not all of them are compatible with DupliQ.

- 5) Connect your USB cable A-male end to DupliQ USB slot and B-male end to your PC USB slot. Connect the power adapter and power cable together. Then connect the adapter end to the AC In on DupliQ and cable end to an AC outlet.



Warning...

Make sure the power source is reliable and ample and has correct voltage. Or it may cause lower productivity, higher failure rate, and/or damage your DupliQ.

Congratulation! You have now assembled your DupliQ. You may turn on the power switch at the rear panel of DupliQ to perform an initial test operation. The next chapter will walk you through the software installation process.

 **Warning...**

If the DupliQ does not function correctly, immediately turn off the power. Carefully re-examine the installation step by step. Or, contact your dealer for help.

SOFTWARE INSTALLATION

DupliQ requires a device driver to be installed before it can work properly with the application software. Before starting the application software installation, the device driver must be installed.

System Requirements

- Microsoft® Windows XP, Vista, 7
- Pentium III 700Mhz (Pentium IV 1.6Ghz Recommended)
- 512MB RAM (1GB RAM Recommended)
- 1024x768 display with 16-bit video card
- Optical disc drive (to install the device driver and software from the installation disc)
- USB 2.0 interface

Device Driver Installation

Follow the steps below to complete DupliQ's device driver installation:

- 1) Connect the power cord to DupliQ and a wall outlet.
- 2) Turn the power switch to the On position.
- 3) Turn DupliQ on. Wait patiently until the installation is complete.
- 4) Turn on the host computer, which is connected to DupliQ via USB cable.
- 5) Insert the provided installation disc into your DVD drive.
- 6) Connect the USB cable to both DupliQ and your PC.
- 7) Windows will inform you that it has found new hardware. Browse to the installation disc and choose ACAL764.inf as the device driver.
- 8) If the Windows System doesn't show the "Found New Hardware" message window, you can go to Windows Device Manager and install the autoloader driver manually.

You may now proceed to install the application software. Refer to the user's manual that came with the software for installation instructions.

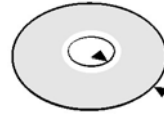
Note:

Go to the Device Manager in Windows Operating System to verify that the device driver has been successfully installed.

BEFORE GETTING STARTED

Tips for Handling Optical Discs

Never touch the printable or data surface of the disc, as it may decrease quality and disc lifespan. Refer to the arrows on the illustration to the right, Always handle discs from the outer edge or the center hole.



What You Need to Start a Disc Publishing Session

The DupliQ is a PC-connected auto-recorder, which requires a USB connection to a host computer. You will need a computer with the minimum system requirements and compatible software to start a disc publishing session.

Turning DupliQ On

Make sure that DupliQ's device driver has been successfully installed as previously explained.

Follow the steps below to get your DupliQ ready:

- 1) Connect the power cord to DupliQ and a wall outlet.
- 2) Turn DupliQ's power switch to the On position.
- 3) Connect the USB cable to both DupliQ and your PC.

DupliQ will enter the initialization process and will remove any discs inside the optical recorder. Be patient until the initialization process has completed.

When initialization is complete, you will see the LED indicator light up signaling that DupliQ is ready for a disc operation

Turning DupliQ Off

To turn DupliQ off, turn the power switch to the Off position. In case there is a session underway, abort or wait until it has completed.

Although it is fine to leave the power cord plugged in, it is recommended that you unplug the cord for increased safety when DupliQ is not used for extended periods of time.

APPENDIX

DupliQ Maintenance

Periodically cleaning the device will ensure proper performance. Follow the steps below to maintain DupliQ:

- 1) Unplug the USB cord from the host computer.
- 2) Turn the power switch to the Off position.
- 3) Remove the master and blank discs.
- 4) Unplug the power cord from the wall outlet.
- 5) Clean the DupliQ unit using a lint-free cloth moistened with warm water.
- 6) Dry the unit immediately with a dry lint-free cloth.

Choosing Reliable Blank Discs

The quality of a recordable disc depends on its chemical and coating technology. There are a variety of discs with various degrees of disc quality available on the market. If you encounter a high failure rate, please try a different type, speed, or brand of disc.

There are many different brands, speeds and CD/DVD recordable media formats on the market. We do our best to test certain media types. It is impossible for us to guarantee that all discs will be compatible.

Please choose a blank disc that is most suitable for your application. You may contact your local dealer for advice on the best suitable blank disc for your system. In addition, we suggest users to test blank discs by using disc simulation before actually writing to discs.

Important:

As with blank discs, the quality and the data format of the master disc play a critical role in the duplication process

Disc Separation

Certain blank discs may tend to stick to each other or may be difficult to separate. Avoid these types of discs. It is strongly recommended that you separate or loosen blank discs from each other before use.

Writing Speed

The recorder will automatically adjust the writing speed according to the disc quality. The system will monitor and automatically adjust the writing speed as the optical laser moves from the inner ring to the outer ring, up to the selected speed. The recorder's maximum speed may never be reached if a lower grade disc is used.

At the maximum speed, for a single recorder, duplicating a 4.7 GB DVD should not take more than 8 minutes. Please check both the quality of the blank and the master disc if the duplication process takes more than 8 minutes for a single disc. Use a reliable master disc for testing purposes. You should also try different specification and brands of blank discs.

You should also check the power supply's voltage and amperes. Insufficient power supply may decrease output rate or increase failure rate.

As a general rule, a lower writing speed will improve quality. When creating audio and video discs a lower writing speed is recommended to assure quality.

FREQUENTLY ASKED QUESTIONS

Why is my duplication failure rate so high?

- Try a lower writing speed using the software.
- Use a different brand of blank discs.
- Check the power source.

Why won't the power switch work all the time?

- Allow a 30 second interval when switching the power on and off.

Why does the robotic arm fail to pickup disc?

- The most common cause for miss-pickup is the media. Media varies in thickness, diameter, and stiffness. Make sure the discs are not bent or distorted.
- If the problem is caused by the malfunction of robotic arm, the arm will not to pick up any disc at all. In the other word, If you are experiencing a pick-up problem, try different brands of discs first to see if the same problem still persist.
- In addition, check the horizontal flatness of the input tray, as well as the recorder tray at its most outward extended position. If none of the above works, please contact your dealer for assistance.

What should I do if the robotic arm does not move?

- You can either click on "Retry" to go on or "Cancel" to stop. If robotic arm still hangs, please reboot DupliQ.

How can I restart or reset DupliQ when it is not working properly?

- Turn the power switch to the Off position and back to the On position after waiting 30 seconds. If this does not solve the problem, please contact your dealer or authorized service center.

SPECIFICATIONS

Disc Recorder	One CD/DVD recorder
Input Capacity:	25 discs (disc quantity may vary due to disc thickness)
Output Capacity:	25 discs (disc quantity may vary due to disc thickness)
Write Speed:	CD-R: 40X; CD-RW: 32X; DVD±R: 18X; DVD±R Dual: 10X; DVD-RW: 6X; DVD+RW: 8X
Operation Method:	PC-Connected; software required
Interface:	USB 2.0
Disc Size Accepted:	12 cm, 8 cm, and business card
Operation Temperature:	42°F to 86°F (6°C to 30°C)
Humidity:	5% to 85%, no condensation
Certification:	CE and FCC; power adaptor is UL approved.
Dimensions:	12in (W) x 11in (D) x 14.2in (H) (dimension with auto-loader robotic arm installed)
Weight:	10 lbs (Net), 12lbs (Gross)
Power:	100 to 240VAC; 50 or 60 Hz

* Specifications are subject to change without notice.

(This page is intentionally left blank.)

Acronova Technology, Inc.

<http://www.acronova.com>

Manual Ver.: 2.0, July 2010

Part #: 711-CD20-9AC6-2